

**GROVE**

E.-ANLAGE KRANKABINE  
ELECTR. CONSTRUCTION, CRANE CABIN

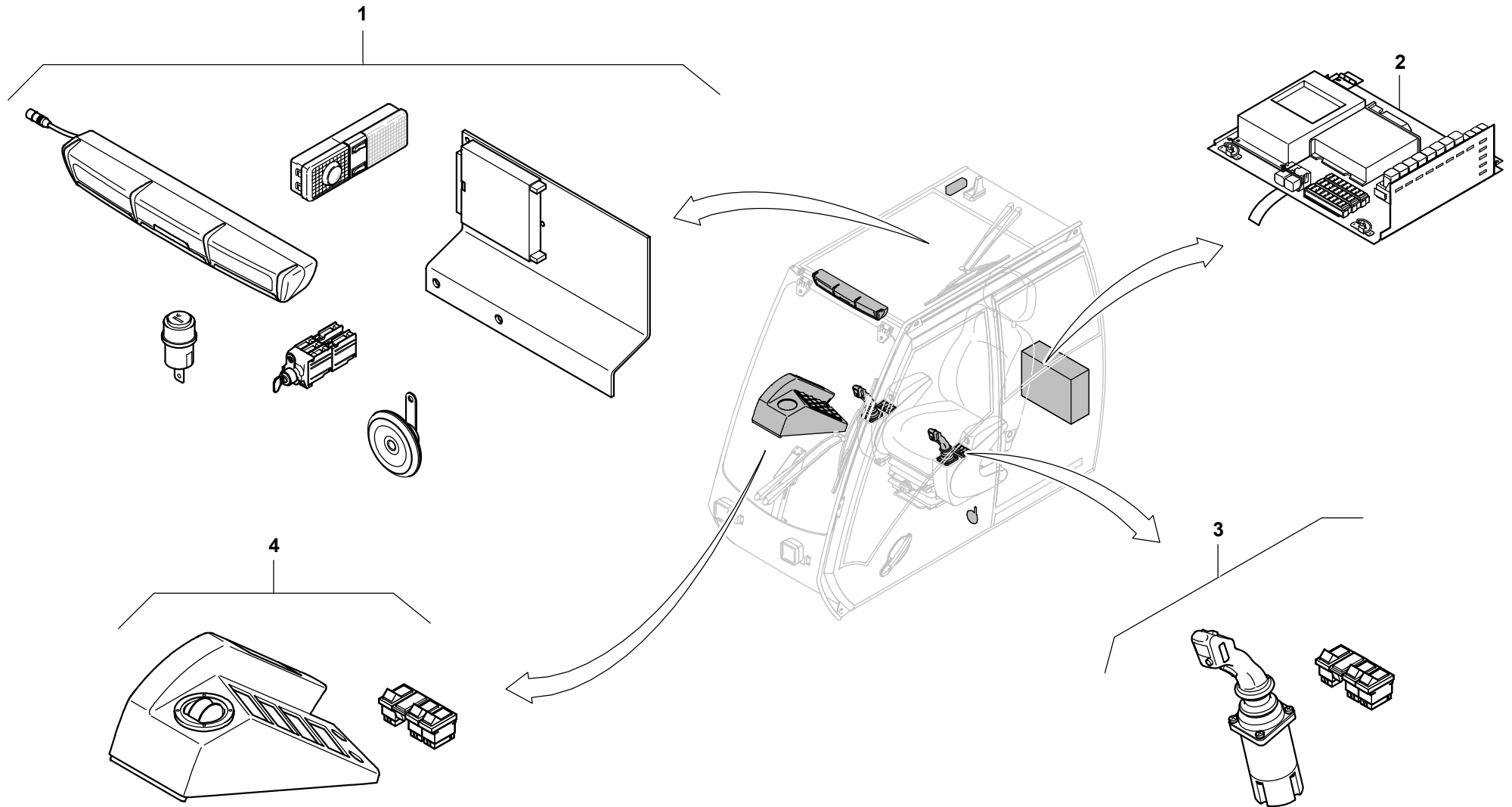
BILDTAFEL  
PICTORIAL DISPLAY

07.15

**3299500-ETL A**

1/3

**GMK 4100**  
**BE 630**  
**G 807**



**GROVE**

E.-ANLAGE KRANKABINE  
ELECTR. CONSTRUCTION, CRANE CABIN

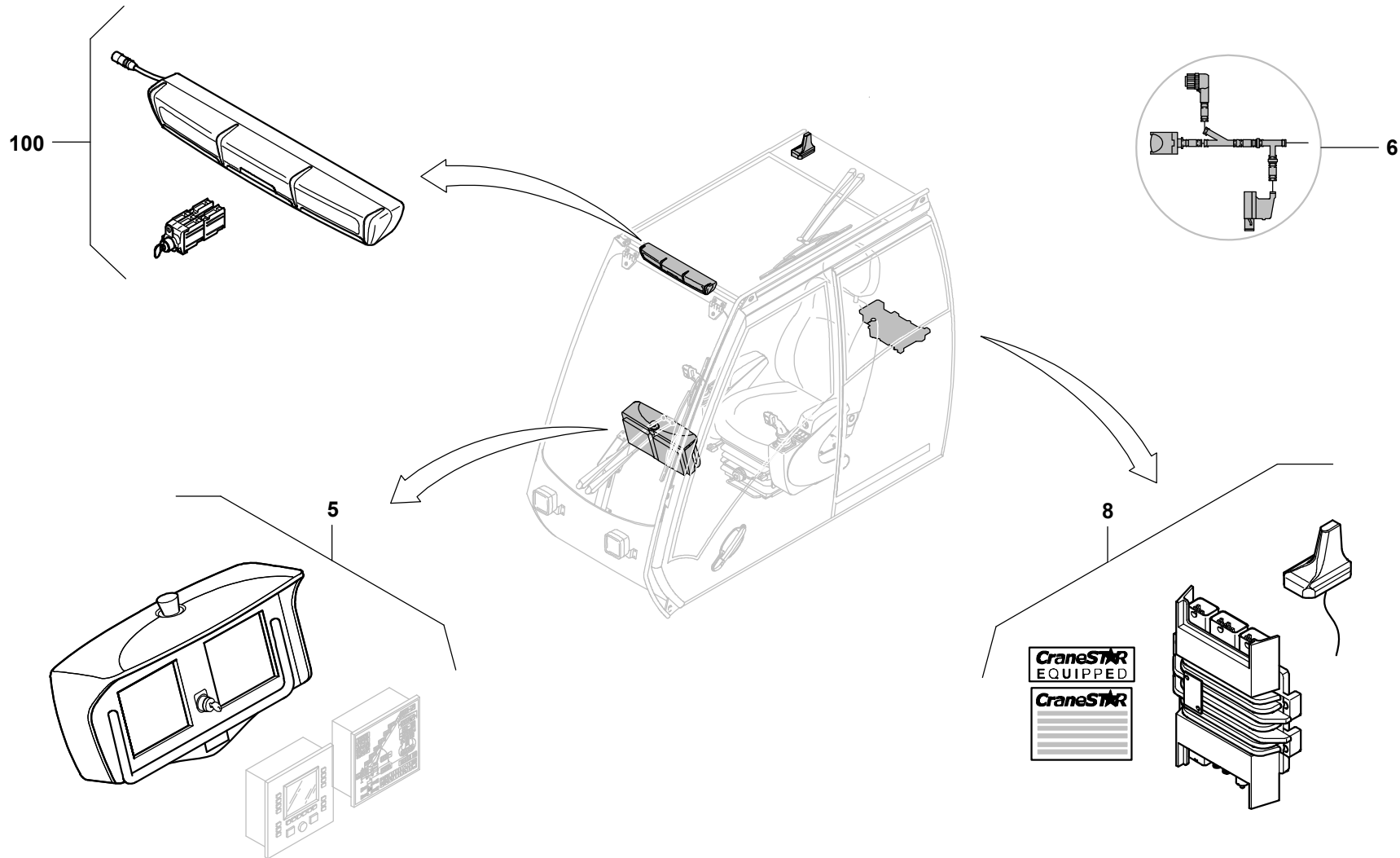
BILDTAFEL  
PICTORIAL DISPLAY

07.15

**3299500-ETL A**

2/3

**GMK 4100**  
**BE 630**  
**G 807**



**GROVE**

E.-ANLAGE KRANKABINE  
ELECTR. CONSTRUCTION, CRANE CABIN

BILDTAFEL  
PICTORIAL DISPLAY

07.15

**3299500-ETL A**

3/3

**GMK 4100**  
**BE 630**  
**G 807**

